

# STYLAGE bracket



The STYLAGE bracket - just like the luminaire of the same name - combines a classic style with a touch of modernism. It creates a distinctive ambiance for both historical centres, to respect their character, and more modern spaces and environments.

This large family of brackets adapts to your needs by offering multiple variants (single, double, lateral and wall).

It is made of die-cast aluminum and is available in all standard Schröder colours.

Certified for the loads defined in EN40, the STYLAGE bracket range can be installed on poles for CE marking.



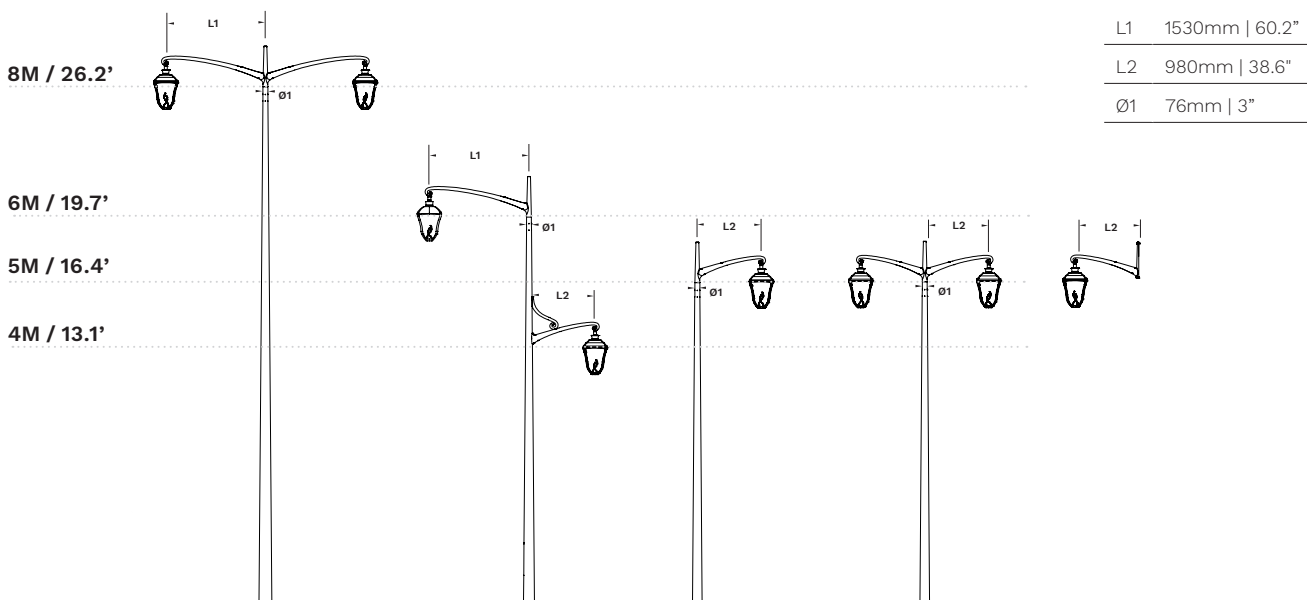
## Technical information

### GENERAL

Housing	Die-cast aluminum
Finish	Polyester powder-coating
Colour	AKZO 900 grey sanded Any RAL or AKZO colour upon request

Pull wire included	Yes
Sea-side coating	Available upon request

### DIMENSIONS



## PRODUCT VARIANTS

Type	Length (mm)	Reference	To pole			Wall	To luminaire
			Diameter (mm)	Tube penetrating (male)	Enclosing (female)		Suspended 1" female (for male interface luminaire side)
STYLAGE bracket - top single 1"	980	STY1100P	Ø76	x	X		X
STYLAGE bracket - top single 1"	1530	STY1200P	Ø76	X			X
STYLAGE bracket - top double 1"	980	STY2100P	Ø76	x	X		X
STYLAGE bracket - top double 1"	1530	STY2200P	Ø76	X			X
STYLAGE bracket - lateral 1" with scroll	980	STY3050P	Lateral on pole > Ø90				X
STYLAGE bracket - wall 1"	980	STY4050P		-		x	X

Note: this information is to be combined with the specific technical drawing.

## LUMINAIRE COMPATABILITY

Family	Type	Length (mm)	Reference	ALBANY Midi	FLEXIA Midi		CITEA NG	STYLAGE
				Suspended male on female 1"	Suspended male on female 1"	Suspended male on female 1" adjustable	Suspended male on female 1"	Suspended 1" male on female fixed
STYLAGE bracket	Top single 1" Ø76	980	STY1100P	x	x	x	x	x
STYLAGE bracket	Top single 1" Ø76	1530	STY1200P	-	x	x	-	x
STYLAGE bracket	Top double 1" Ø76	980	STY2100P	x	x	x	x	x
STYLAGE bracket	Top double 1" Ø76	1530	STY2200P	-	x	x	-	x
STYLAGE bracket	Lateral on pole 1" with scroll	980	STY3050P	-	x	x	-	x
STYLAGE bracket	Wall 1"	980	STY4050P	x	x	x	x	x

x = standard available

## INFORMATION FOR EN40 CALCULATION

Name	Reference	Type	Length (mm)	Centre of pressure on X (mm)	Centre of pressure on Z (mm)	Endpoint bracket on X (mounting point - mm)	Endpoint bracket on Z (mounting point - mm)	CxS (m <sup>2</sup> )	Weight (kg)
STYLAGE bracket - top single 980 1"	STY1100P	Single	980	282	347	980	208	0.19	8
STYLAGE bracket - top single 1530 1"	STY1200P	Single	1530	470	360	1530	257	0.24	9.5
STYLAGE bracket - top double 980 1"	STY2100P	Double	980	0	327	980	208	0.33	12.6
STYLAGE bracket - top double 1530 1"	STY2200P	Double	1530	0	360	1530	257	0.43	15.3
STYLAGE bracket - lateral 980 1" with scroll	STY3050P	Lateral	980	340	345	980	208	0.136	5.6

