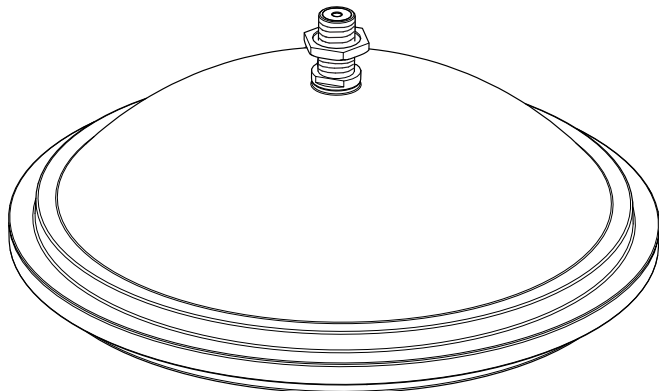


Schröder

CITEA NG2

Mini - Midi

Suspended

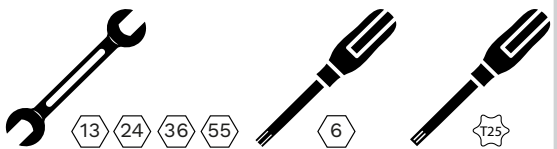


ENG	INSTALLATION INSTRUCTIONS	ITA	ISTRUZIONI DI INSTALLAZIONE	NLD	INSTALLATIE INSTRUCTIES	DAN	INSTALLATIONSVEJLEDNING	HUN	TELEPÍTÉSI ÚTMUTATÓ
DEU	INSTALLATIONSANLEITUNG	POL	INSTRUKCJE MONTAŻU	RUS	Инструкции по установке	RON	INSTRUCȚIUNI DE INSTALARE	CHI	安装说明
FRA	INSTRUCTIONS DE MONTAGE	SPA	INSTRUCCIONES DE INSTALACIÓN	POR	INSTRUÇÕES DE INSTALAÇÃO	SWE	INSTALLATIONSANVISNING	UKR	Інструкції з монтажу
SRP	UPUTSTVA ZA INSTALACIJU	ARA	تعليمات التركيب						

Control gear must be SELV/PELV! U _{out} max=120V			IEC EN60598	UL 1598 CSA C22.2 No. 250.0						4-12m ✓	120-277V 220-240V max. 120VDC 50/60Hz	IP 66	IK 10
--	--	--	-----------------------	-----------------------------------	--	--	--	--	--	---------	--	------------------------	------------------------

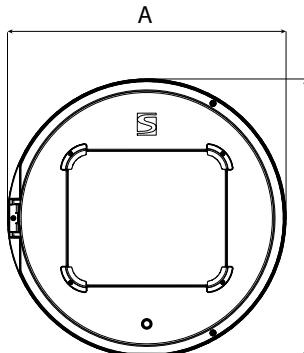
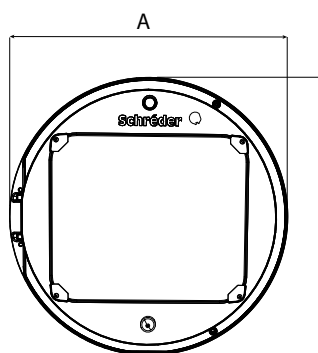


ALL THE TIGHTENING TORQUES VALUES ARE GIVEN FOR ASSEMBLIES WITHOUT THE ADDITION OF A GREASE DECREASING FRICTION.



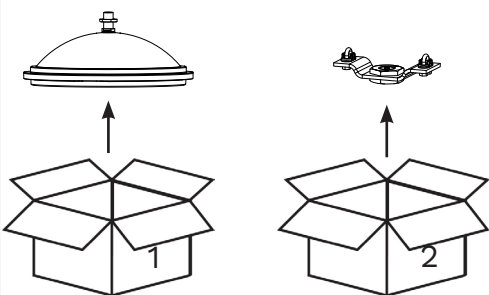
MINI

MIDI



	Mini	Midi
A	500mm	595mm
B	500mm	595mm
C	160mm	185mm
Kg	12	15
CxS	0.062m ²	0.080m ²

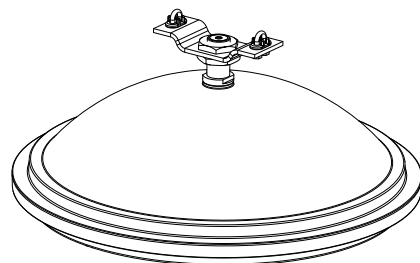
PACKAGING



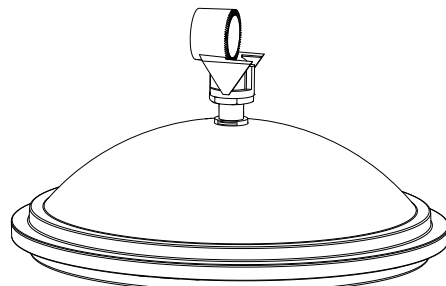
1" GAZ FEMALE

3/4" GAZ MALE
1" GAZ MALE

CATENARY



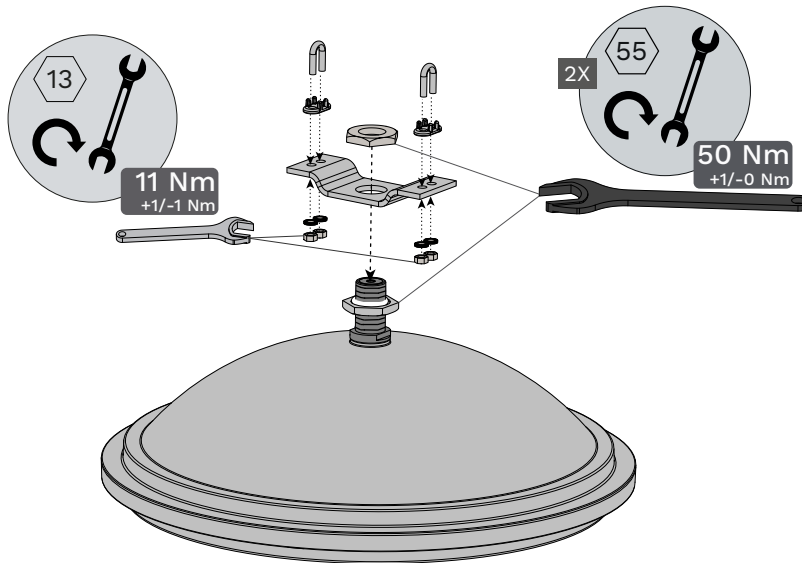
SWIVEL



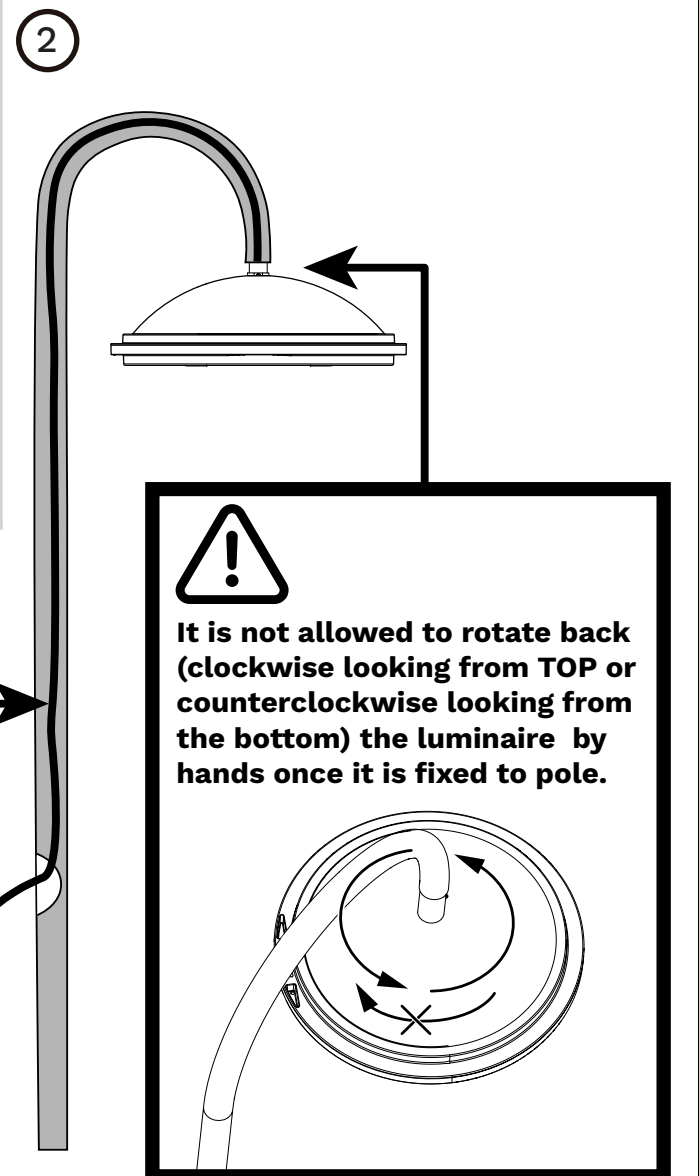
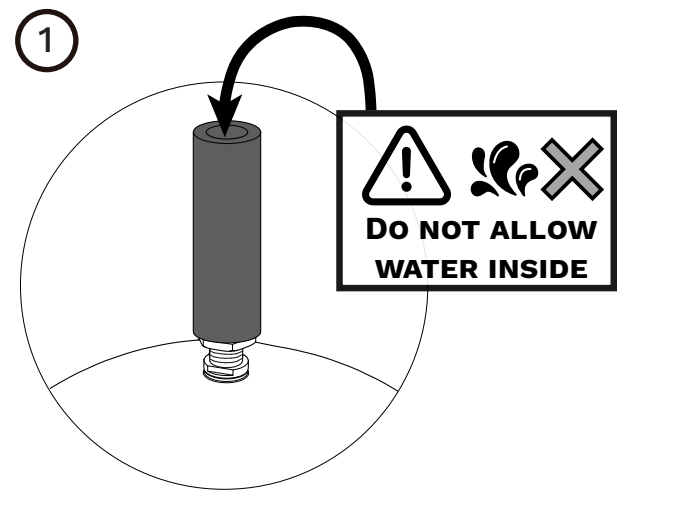


A1. SUSPENDED FIXATIONS CATENARY

S8

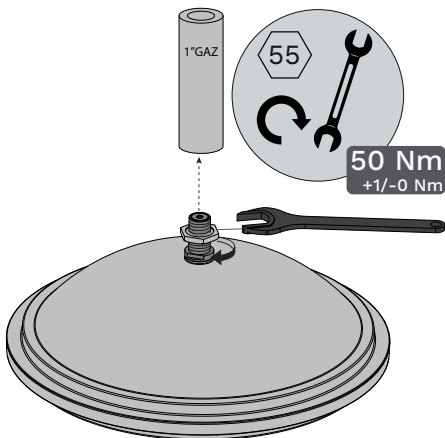


A2. SUSPENDED FIXATIONS PRELIMINARY INSTRUCTIONS - WITH CABLE

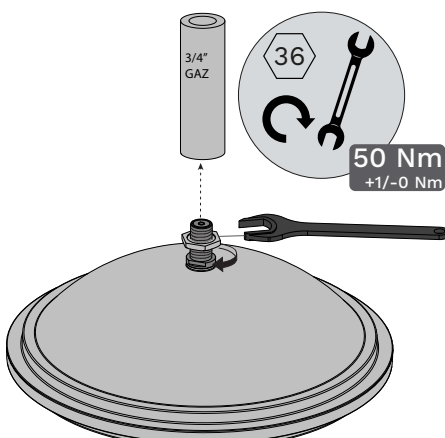


⚠️ ⊗ ⚡ ~ | A3. TUBE 1" GAZ ⚠️ ⊗ ⚡ ~ | A4. TUBE 3/4" GAZ

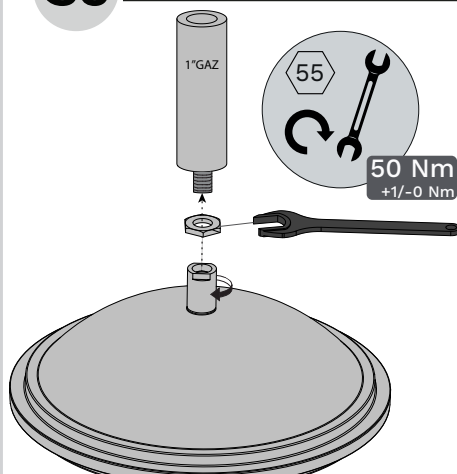
S2 MALE ON FEMALE 1"



S6

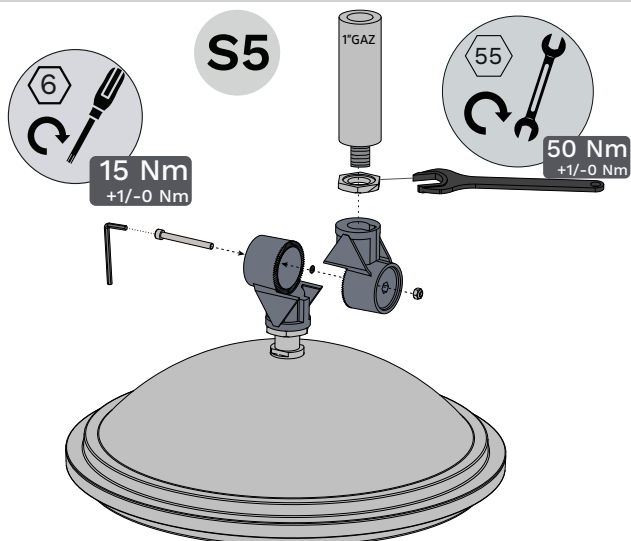


S3 FEMALE ON MALE 1"

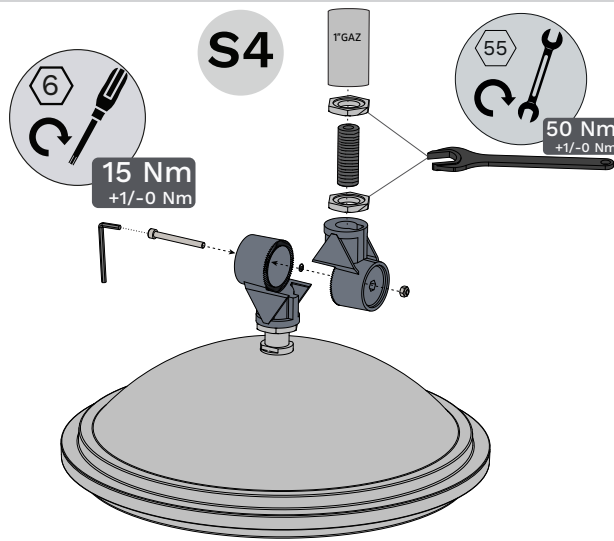


⚠️ ⊗ ⚡ ~ | A5. SWIVEL ON TUBE 1" GAZ (0°-90°)

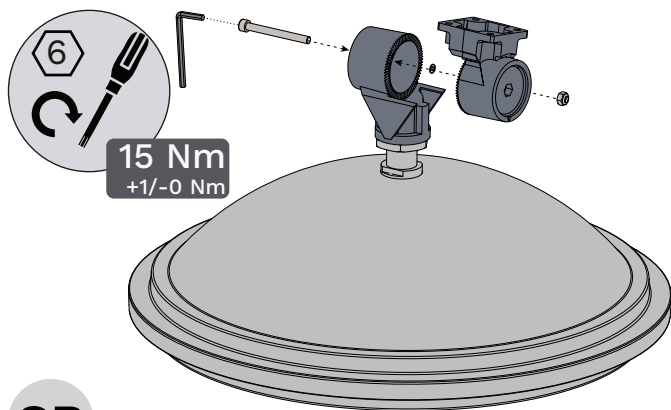
S5



S4



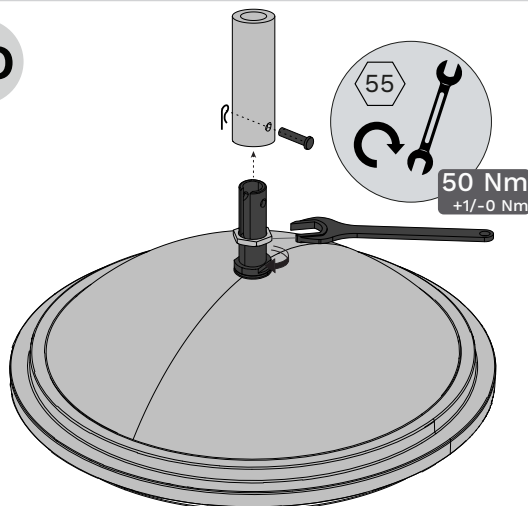
⚠️ ⊗ ⚡ ~ | A6. SWIVEL ON SQUARED FIXATION



SB

⚠️ ⊗ ⚡ ~ | A7. VDP (VILLE DE PARIS)

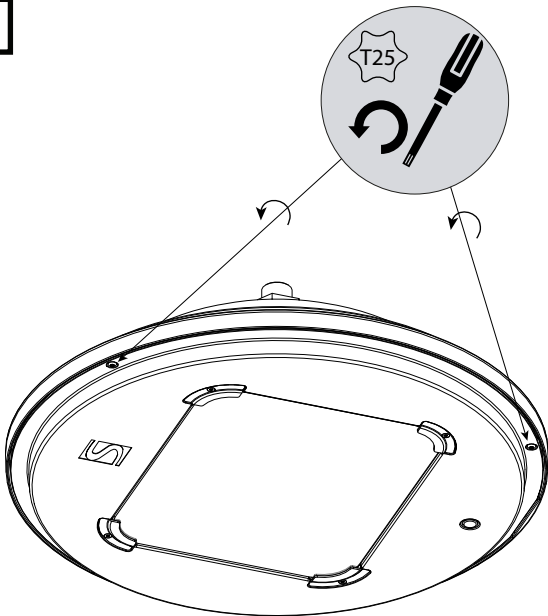
SD



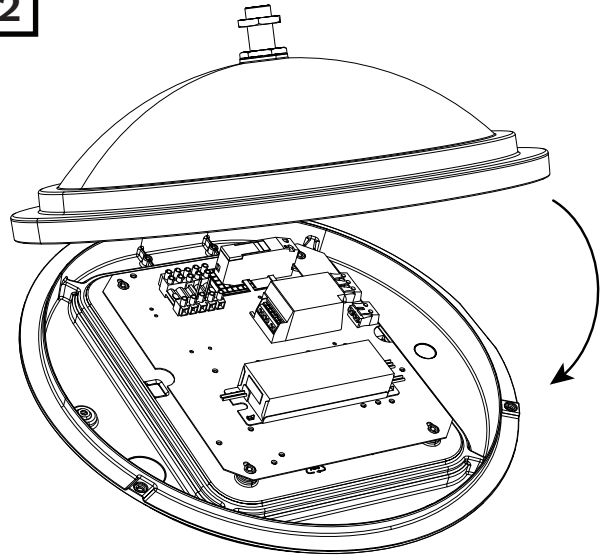


B. CONNECT THE MAIN CABLE

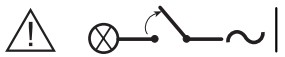
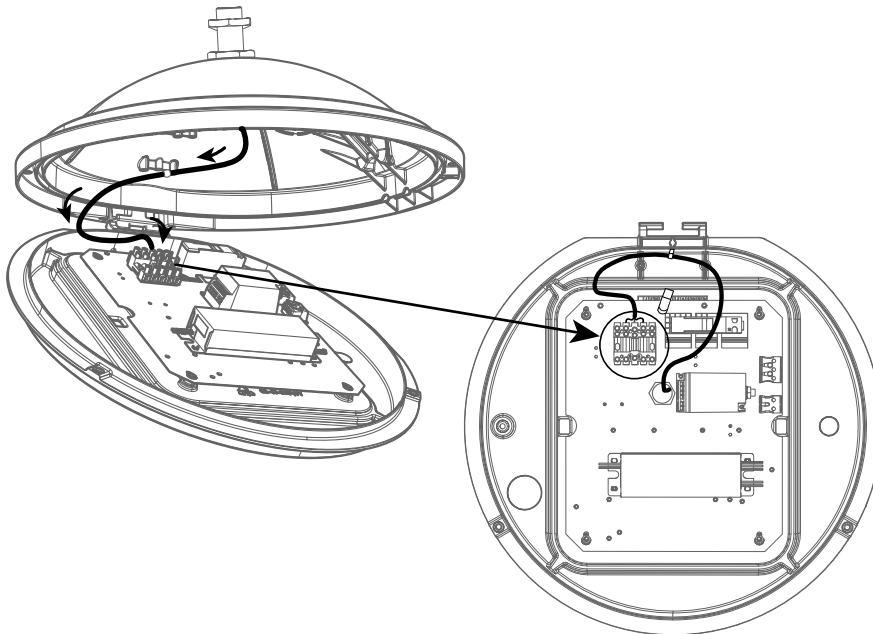
1



2

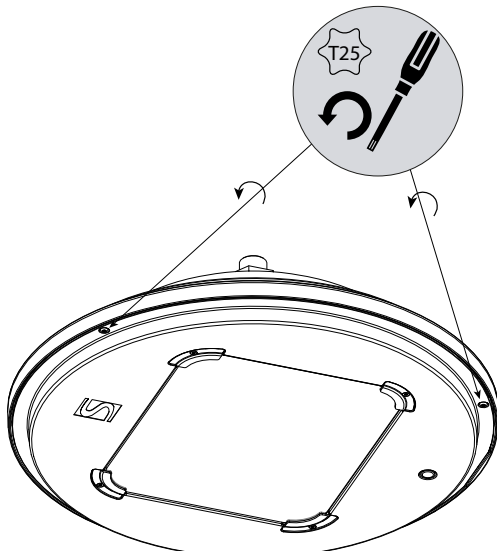


3

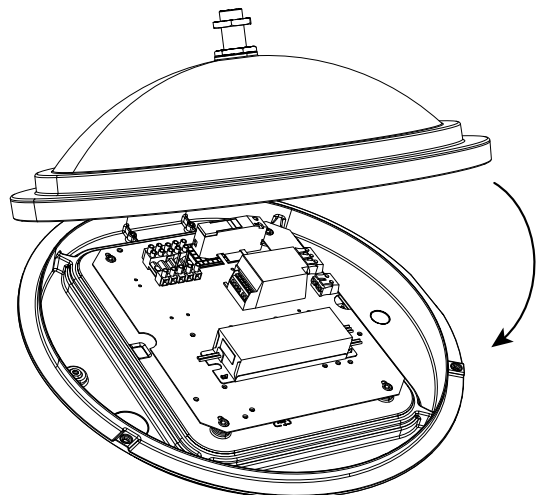


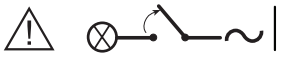
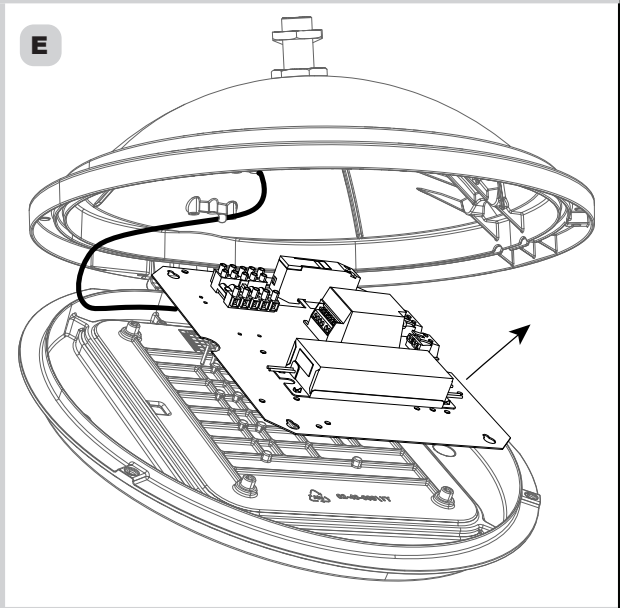
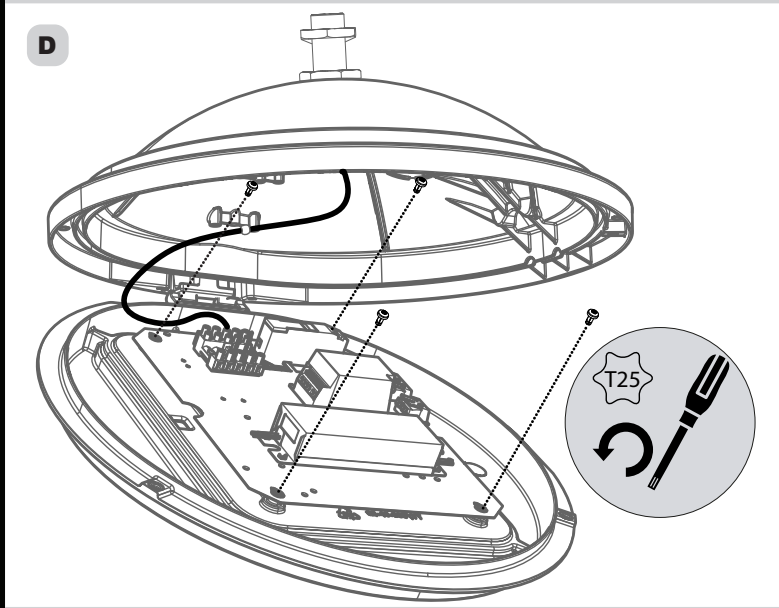
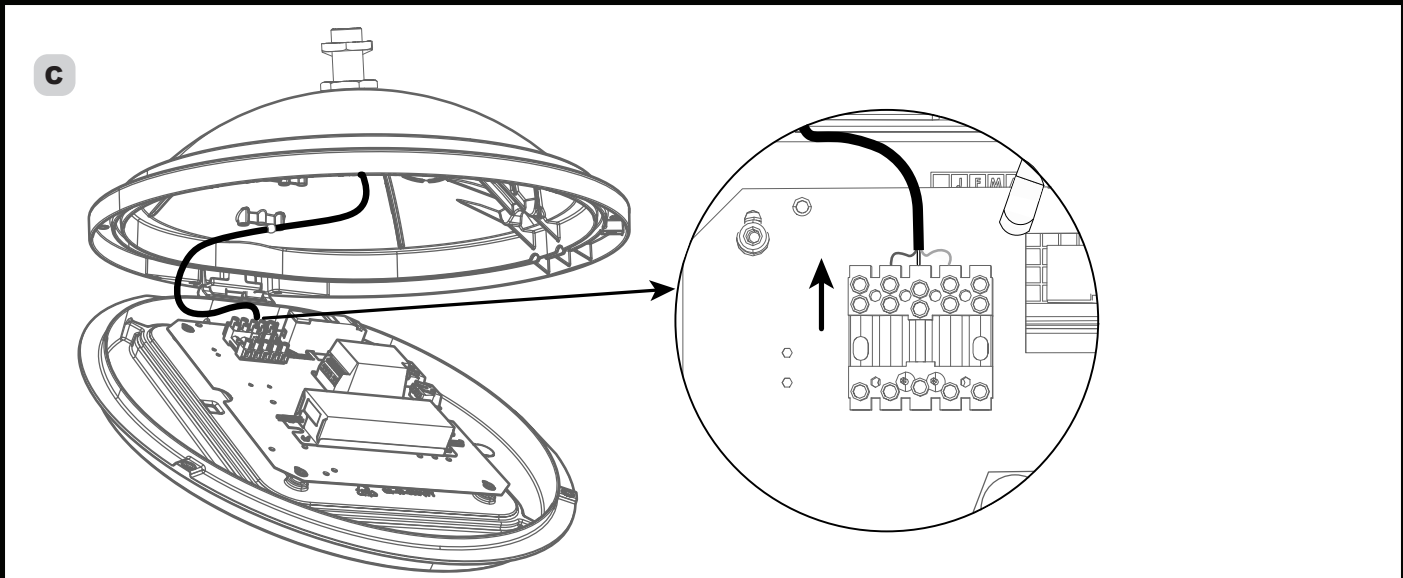
C. REMOVE THE GEARPLATE

A

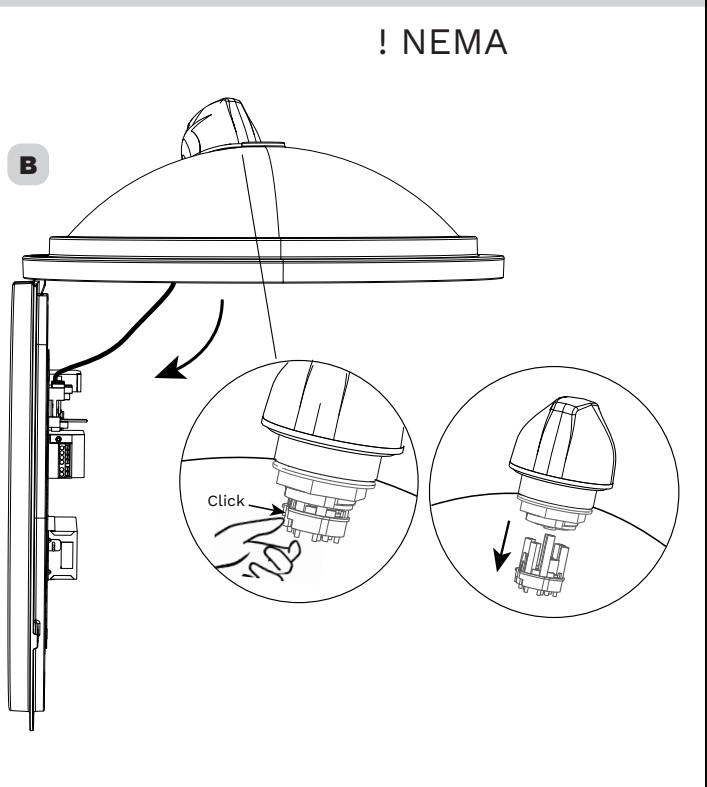
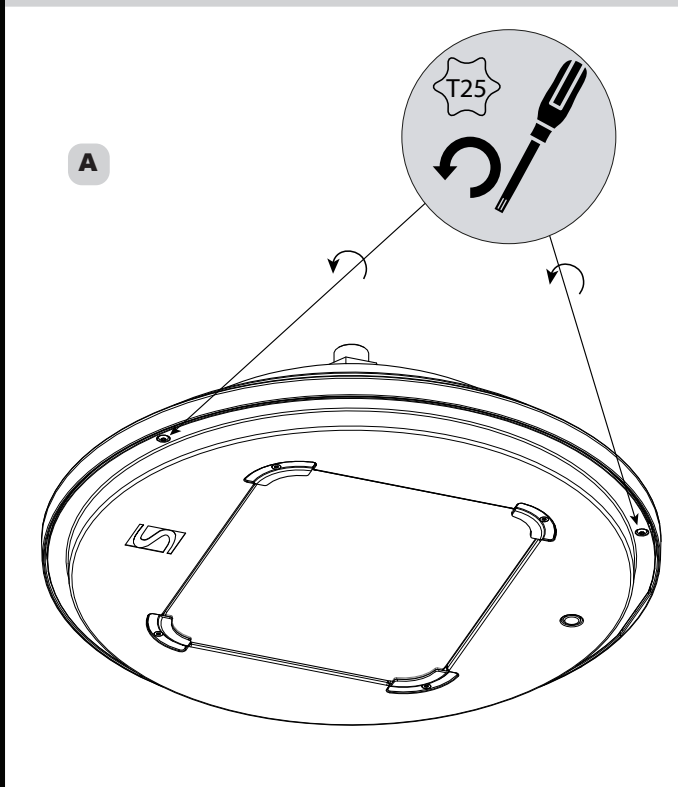


B

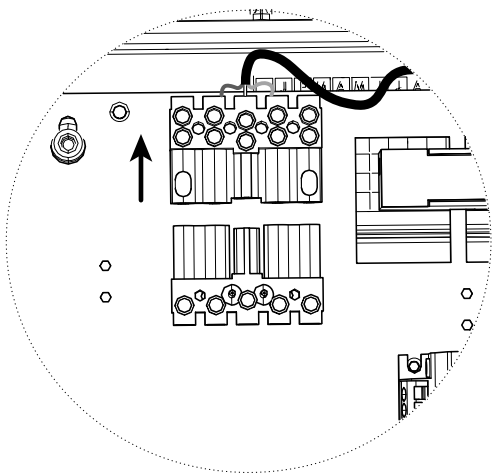




D. REMOVE THE BODY LOWER

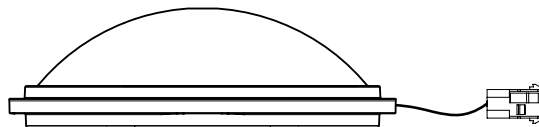


C



D

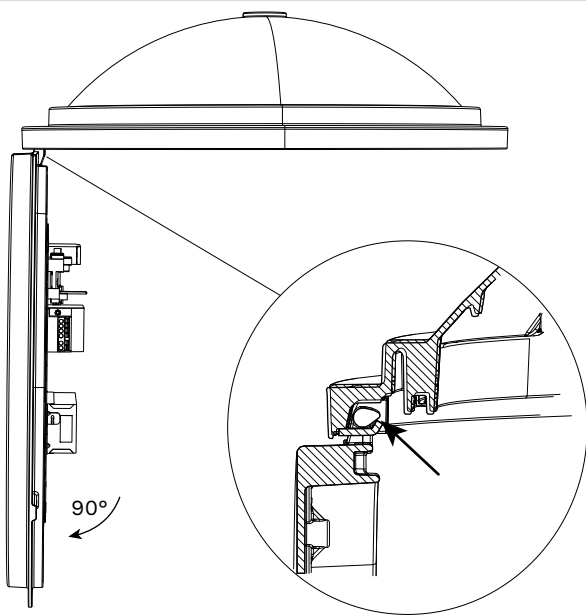
Luminary side



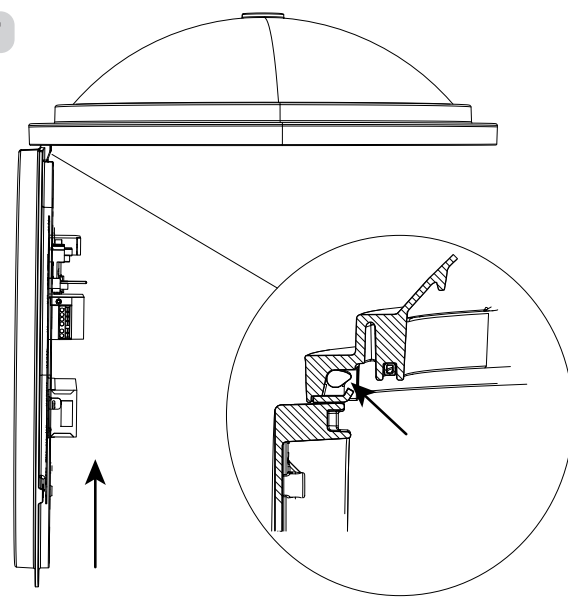
Control gear must be SELV/PELV!
 $U_{out\ max}=120V$



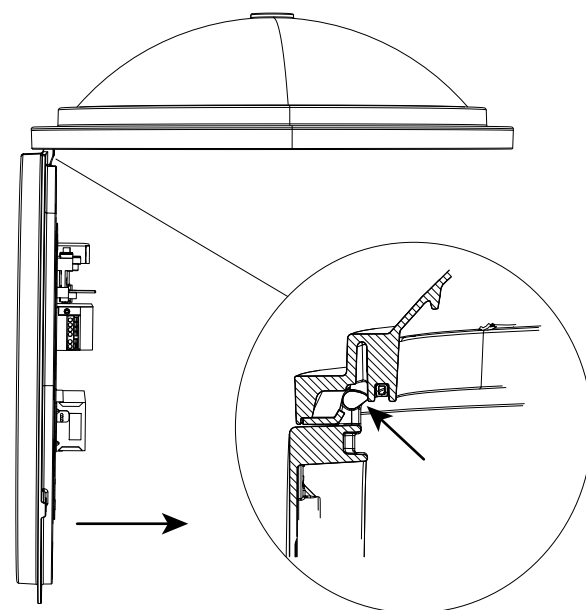
E



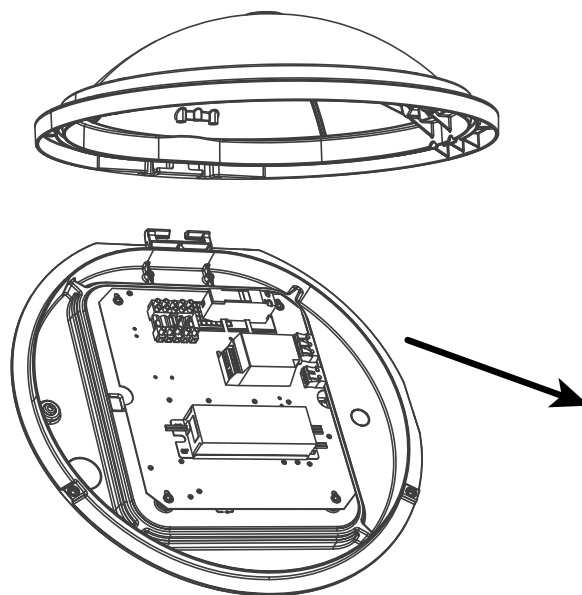
F



G



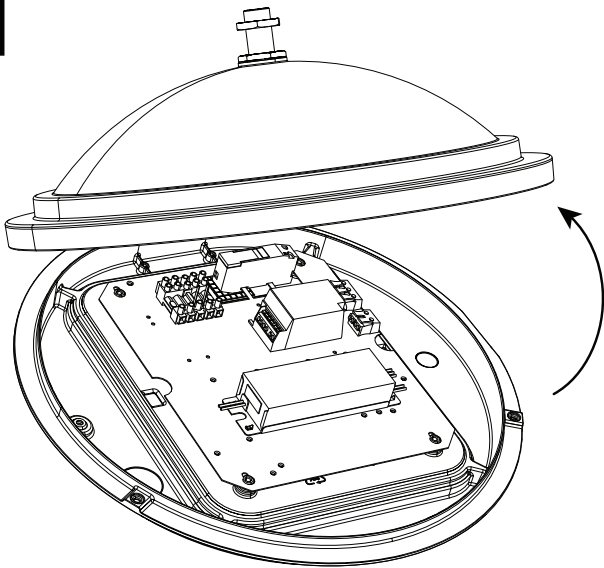
H



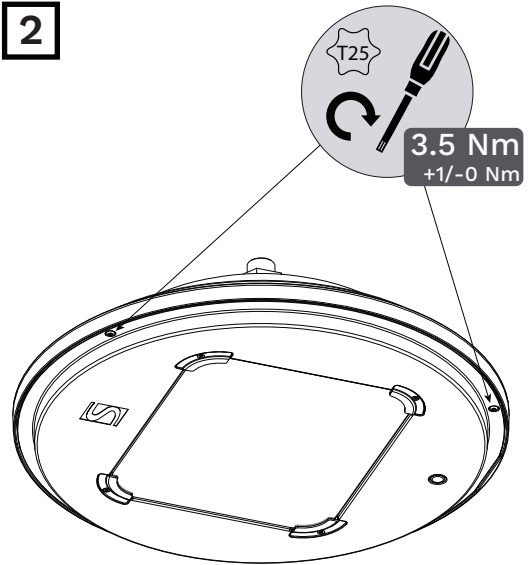


E. CLOSING

1



2

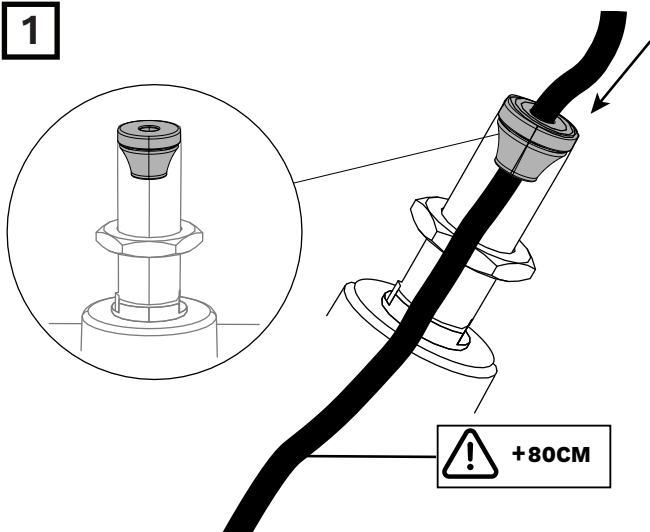


F. WITHOUT MAIN CABLE

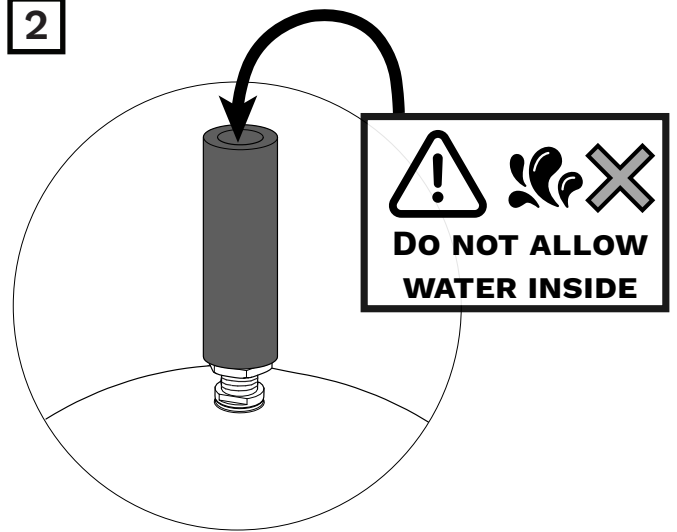
EXTRA STEPS

**! CABLE REQUIREMENTS : H05VV-F, H07RN-F OR SOOW COMPLIANT / Ø8 - 13MM
NO GREASE, NO TWISTS AND NO DETERIORATION**

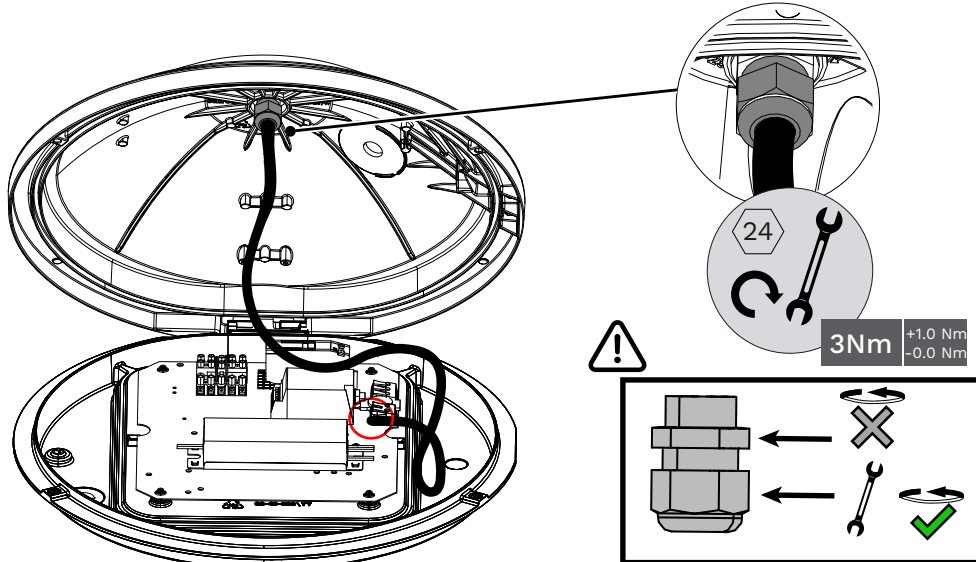
1



2




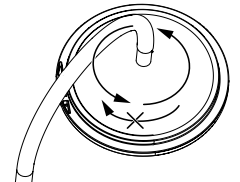
3



4

  
DO NOT TWIST THE CABLE


It is not allowed to rotate back (clockwise looking from TOP or counterclockwise looking from the bottom) the luminaire by hands once it is fixed to pole.



  **F. CONNECTION - NO MAIN CABLE SUPPLY**

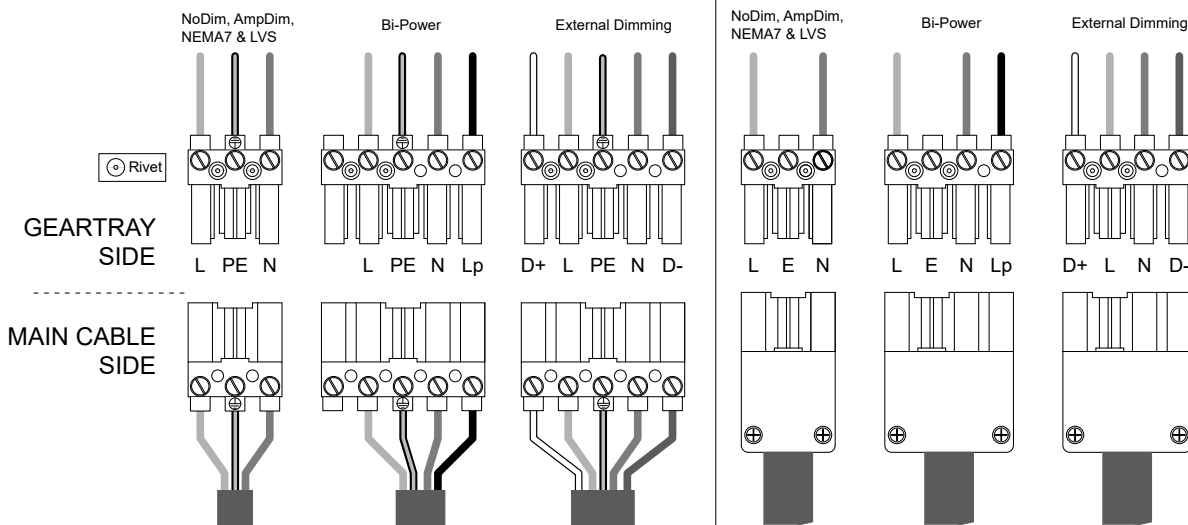
 **Line and neutral MUST be respected !**



CLASS I



CLASS II



IEC



Dim

Bi-Power Switching line



No Dim

